

Pastry and Bakery Line 4 Door Refrigerated Counter, -2°/+7°C, 600X400 grid

ITEM # _____

MODEL # _____

NAME # _____

SIS # _____

AIA # _____


728971 (BPLER4NL)

 4-door Refrigerated
 Counter, 600x400 mm
 grids, -2+7°C, AISI 304

Short Form Specification

Item No. _____

Internal and external doors, front and side panels in AISI 304 stainless steel.

Stainless steel worktop. Four reversible doors. Frontal access for easy maintenance. Uniformity of temperature guaranteed by the position of the evaporator and the design of the internal ventilation. Completely automatic defrosting.

Refrigerator counter has operating temperature that can be adjusted from -2° to +7°C.

Supplied with 12 pairs of runners 600x400mm.

Main Features

- Suitable for use in ambient temperature of up to 40°C (climatic class 5).
- Electronic control panel and digital display.
- Frontal access for easy maintenance.
- Internal runners removable without any tools for faster cleaning operations.
- Adjustable temperature range from -2°C to +7°C.

Construction

- The position of the evaporator and the design of the internal ventilation facilitate the uniformity of the temperature.
- Stainless steel AISI 304 internal and external panels including back.
- Rounded internal corners for ease of cleaning.
- Self closing doors.
- Adjustable feet from 140mm to 240mm.

Sustainability

- Hydrocarbon refrigerant gas R290 for the lowest environmental impact (GWP=3) - CFC and HCFC free.
- Insulation thickness: 60 mm to ensure effective insulation with minimum energy consumption.
- Removable triple-chamber balloon magnetic gasket to improve insulation and reduce energy consumption and ease of cleaning.
- Top energy efficiency (class A) and granted uniformity even at extreme working conditions (class 5; 40°C and 40% humidity): unbeatable performance, certified by energy test protocol UNI EN ISO 22041:2020.

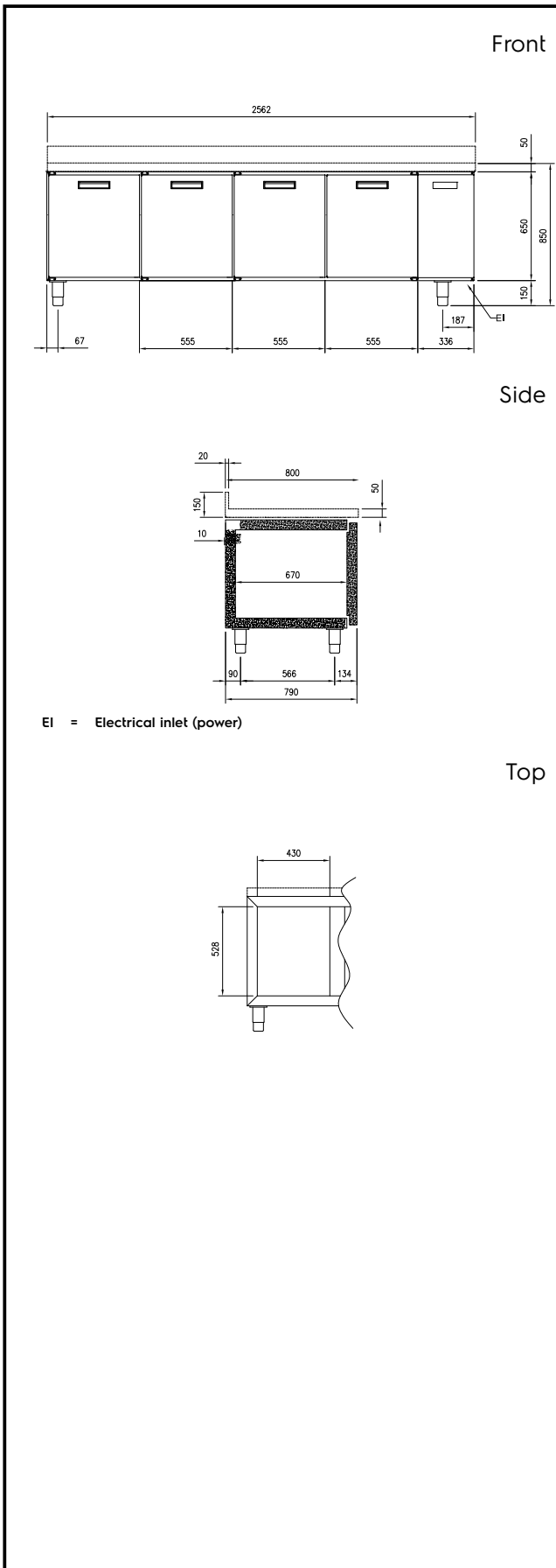
Included Accessories

- 12 of Pair of runners 600x400 mm PNC 880673 for Pastry Counter

Optional Accessories

- Grid, 600x400mm for pastry counter PNC 728875
- Stainless steel grid, 600x400mm for pastry counter PNC 728876
- Pair of runners 600x400 mm for Pastry Counter PNC 880673

APPROVAL: _____



Electric

Supply voltage:

728971 (BPLER4NL) 230 V/1N ph/50 Hz

Electrical power max.:

0.247 kW

Key Information:

Gross capacity:	727 lt
Net Volume:	480 lt
N° of doors:	4
Door hinges:	1 Left+3 Right
External dimensions, Width:	2562 mm
External dimensions, Depth:	800 mm
External dimensions, Depth with Doors Open:	1280 mm
External dimensions, Height:	950 mm
Type of external material:	Stainless Steel AISI 304
Type of internal material:	Scotch Brite
Internal side panels material:	304 AISI

Refrigeration Data

Control type:

Refrigeration power at evaporation temperature: -10°C

Operating temperature min.: -2°C

Operating temperature max.: 7°C

Product Information (EU Regulation 2015/1094)

Type of model (EU Reg. 2015/1094):

counter chilled

Sustainability

Energy Class (EU Reg. 2015/1094):

A

Yearly and daily energy consumption (EU Reg. 2015/1094):

582kWh/year - 2kWh/24h

Climate class (EU Reg. 2015/1094):

Heavy Duty (5)

Energy Efficiency Index-EEI (EU Reg. 2015/1094):

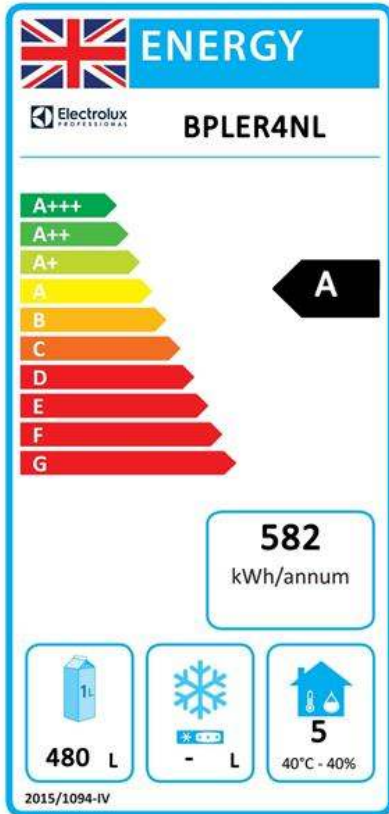
24

Refrigerant type:

R290

GWP Index:

3



EU energy labelling from 1st July 2016
The European energy labelling scheme for professional refrigerators and freezers is based on requirements setting Minimum Energy Performance standards for commercial refrigeration cabinets sold within the EU.

These requirements are designed to drive energy efficiency and environmentally friendly approach for professionals. The European energy labelling scheme will apply to all manufacturers and importers who sell and market products within the EU and it is mandatory across Europe. Important: all products which consume energy above the minimum level will not be able to be sold within the EU from 1 July 2016.

SI 2020 No. 1528.

Important: all products which consume energy above the minimum level will not be able to be sold within the EU from 1 July 2016.

